



# OLOFSTRÖM

## UNIFEEDER



## PRESS AUTOMATION

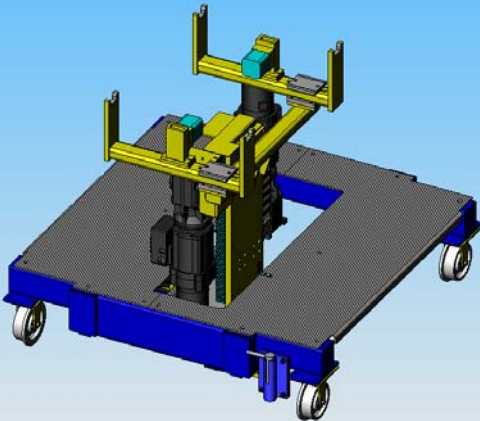
### IDLE STATION

- Fast and smooth movements.
- Space-saving
- Simple and solid construction.
- Up to six programmable axis.
- Many year's experience from industrial controllers and press automation contributes to user friendliness and high productivity.

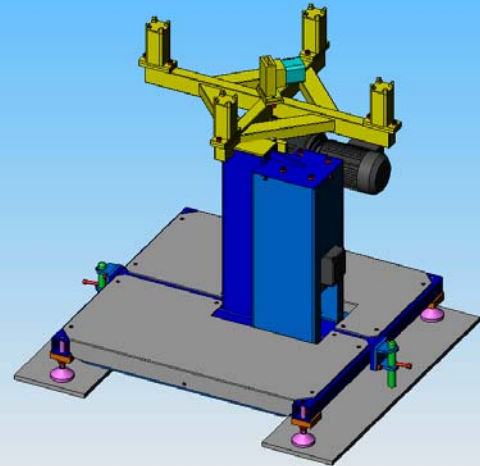
***PDS***

## Idle Station

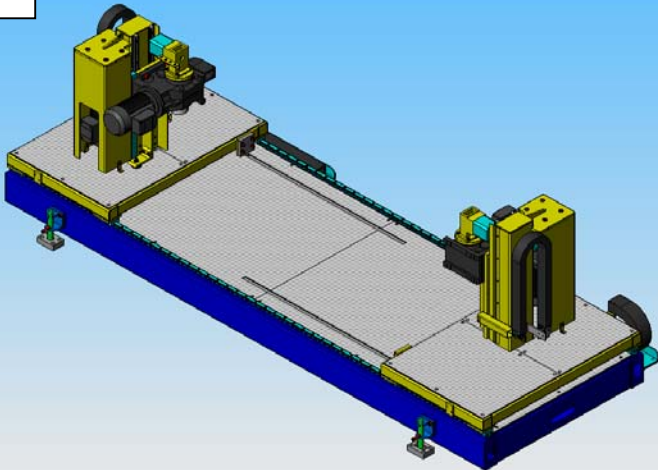
A



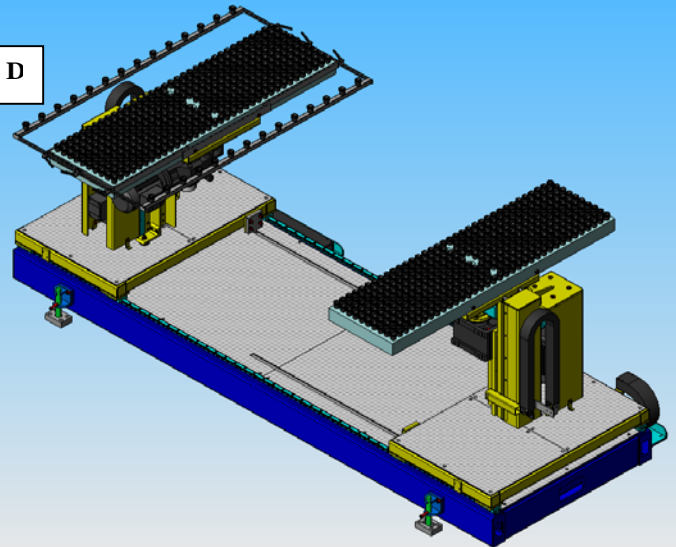
B



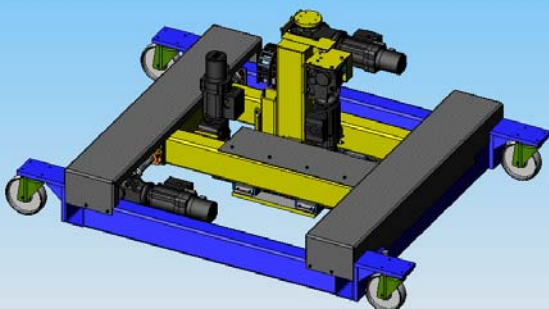
C



D



E



The pictures showing different examples of Idle Stations. One and three axis Idle Station is also available.

**A** Two-axis Idle Station, side- + height- movement.

**B** Two-axis Idle Station, height- and rotation movement.

**C** Six-axis Idle Station, side- + height- + rotation movement and separation.

**D** Six-axis Idle Station with UniGripper, side- + height- + rotation movement and separation.

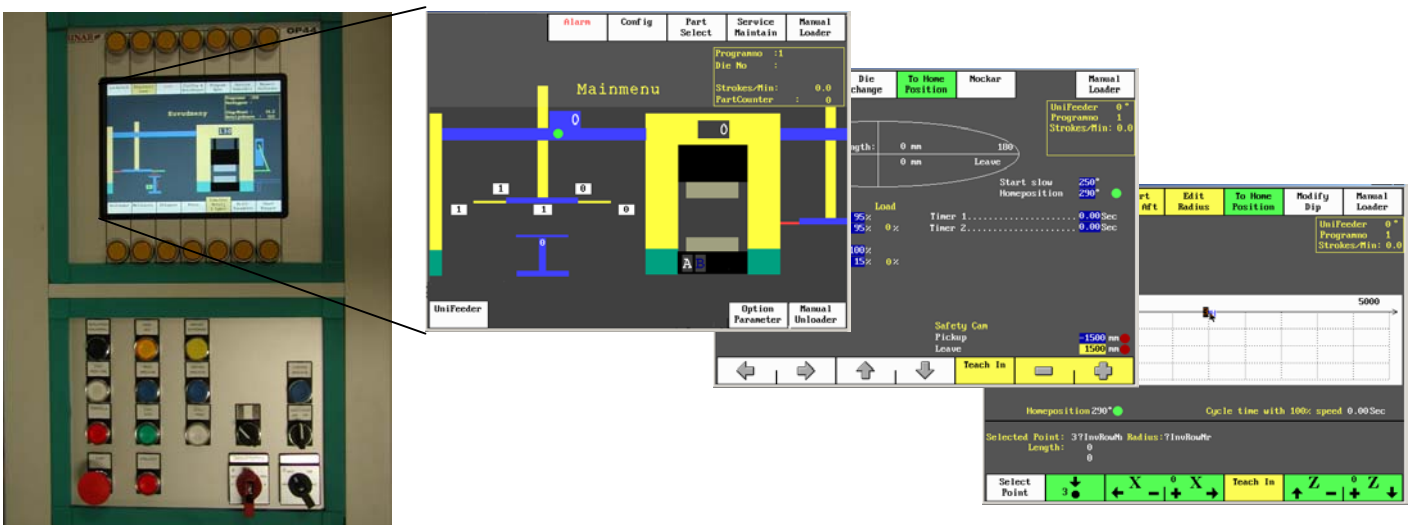
**E** Four-axis Idle Station, side- + height- + rotation- + length movement.

## Technical Data and Handling Capability

Handling Capability:	
Feed direction	min 100 mm max 2500 mm.
Width	min 100 mm. max 4500 mm
Heightadjustment	≥ 450 mm to any.
Weight. (panel + tooling).	max 130 kg.
Speed	ca 17 stroke/min.
Weight:	150 - 800 kg
Rotation arc	0 > 360° (free rotate)
Sideshifting	500 mm to any
Lenght	500 mm to any
Tilting	+/- 30°
All adjustments are automatically adjustable	

## User Friendly Interface

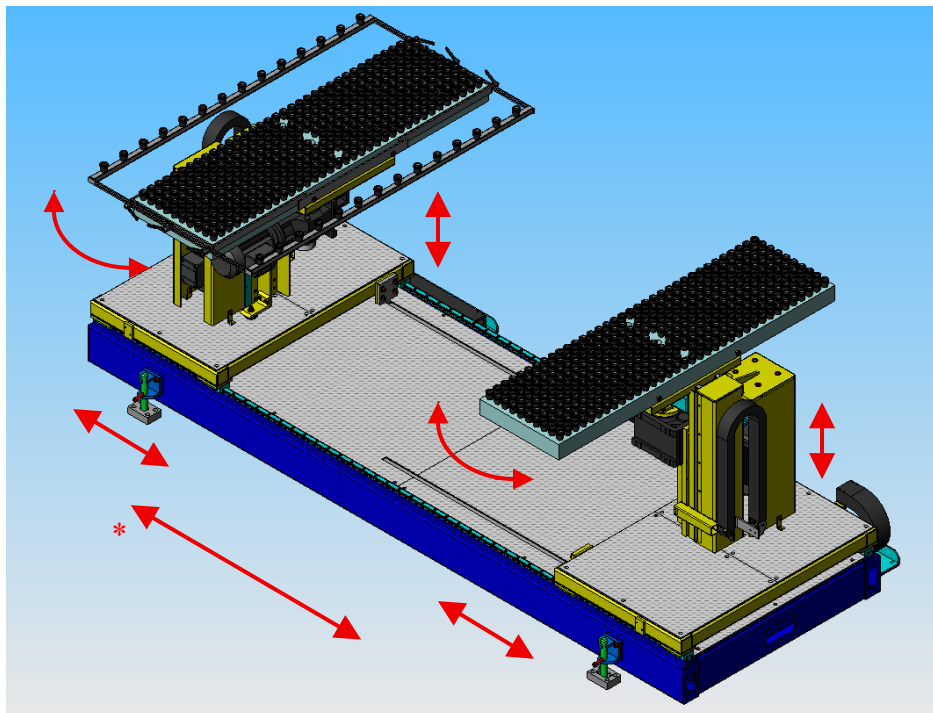
Position and speed are programmed from a User Friendly display.



## Functional Principle

The Idle Station is a device for relocate stamped panels.

Example in the picture shows move directions for a six axis Idle Station. Respectively device can be moved up/down, in/out during production and also rotate the panel.



\* The Idle Station can also be used for sideshifting.

Data for position and speed for respectively panel is stored in the control system.