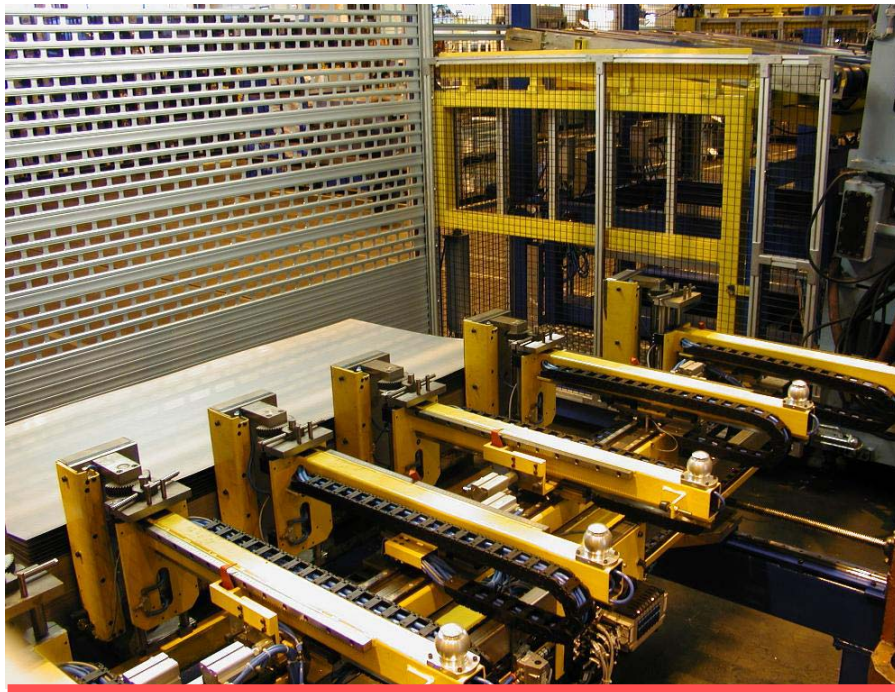




OLOFSTRÖM

UNIFEEDER



PRESS AUTOMATION

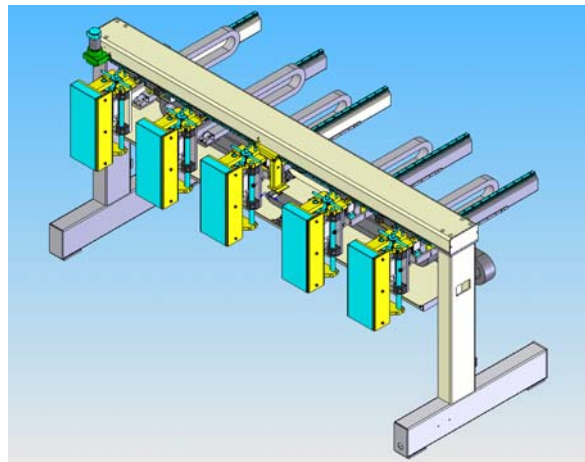
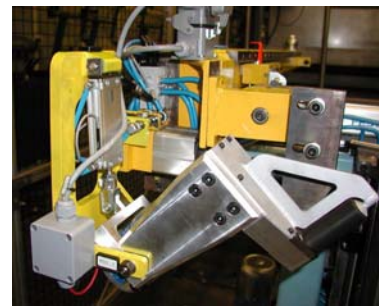
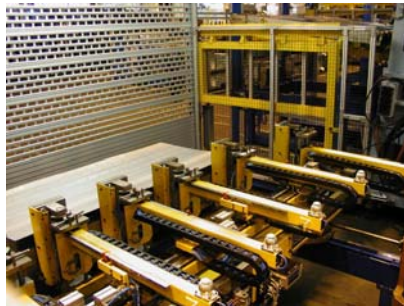
FANNING MAGNET STATION

- Simple and solid construction.
- Both Steel and Aluminium can be separated.
- Many year's experience from industrial controllers and press automation contributes to user friendliness and high productivity.

PDS

Functional Principle

The Fanning Magnet Station is a device for separation of both Steel and Aluminum blanks.



Option: Absolute Encoders for indication of the Fanning magnet position.
Data is stored in the control system.

Edition 1.30 eng