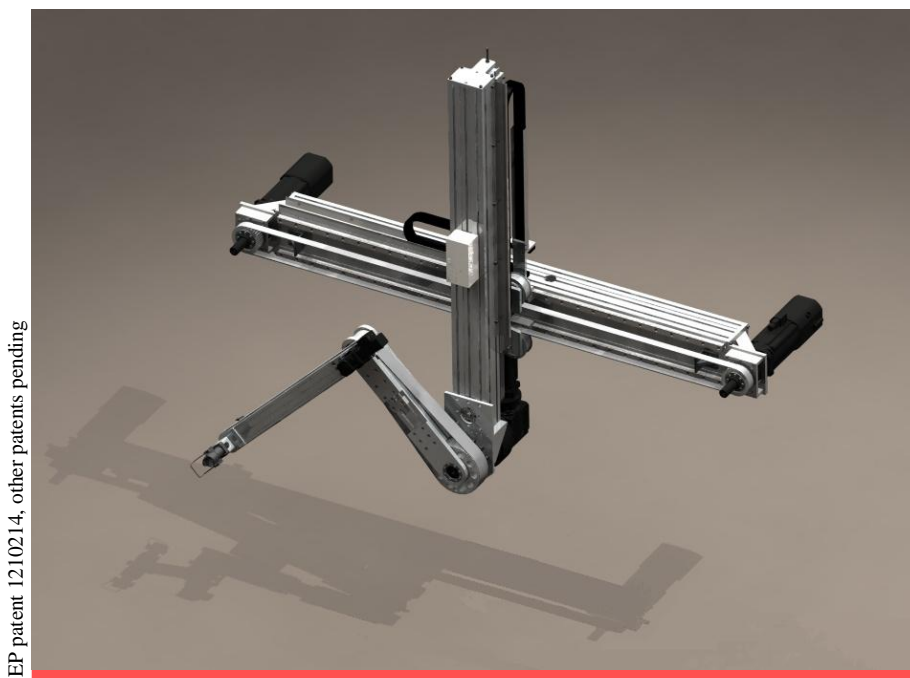




OLOFSTRÖM

UNIFEEDER



PRESS AUTOMATION

UNIFEEDER PTP

- **Fast and smooth movements, this means higher speed of motion, increased production rate.**
- **Press To Press handling with single or double UniFeeder PTP.**
- **Turnover capabilities.**
- **Side movement with optional axis.**
- **Simple and solid construction, less need for maintenance.**
- **Optimisation during running production.**
- **The UniFeeder PTP solution leaves a free floor space between the presses.**

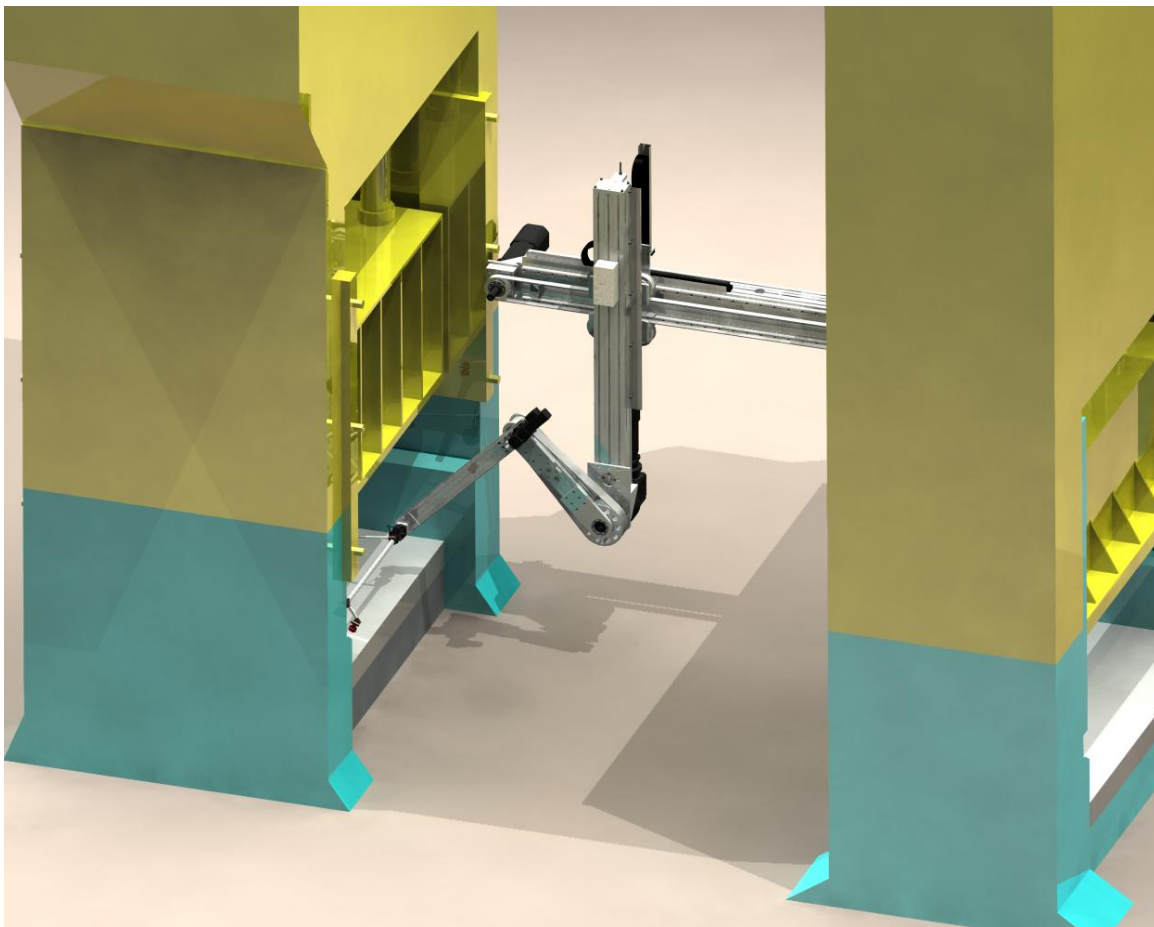
PDS

UniFeeder PTP

UniFeeder PTP is a four-axis freely programmable press automation equipment. Optional up to five axis per UniFeeder PTP. Fast and smooth movements, qualities necessary for keeping a high and steady production rate.

The smoothness of the movements comes from the unique operation control, developed especially for transferring different types of parts.

The UniFeeder PTP solution leaves a free floor space between the presses.



Technical Data and Capacity UniFeeder PTP

Load per UniFeeder PTP (including tooling)	max	90 kg
Stroke length horizontal (x-axis)	max	12 m
Stroke length vertical (z-axis)	max	2 m



OLOFSTRÖM

UNIFEEDER

Different ways to use single and/or double UniFeeder PTP



UniFeeder PTP with single or double tooling.



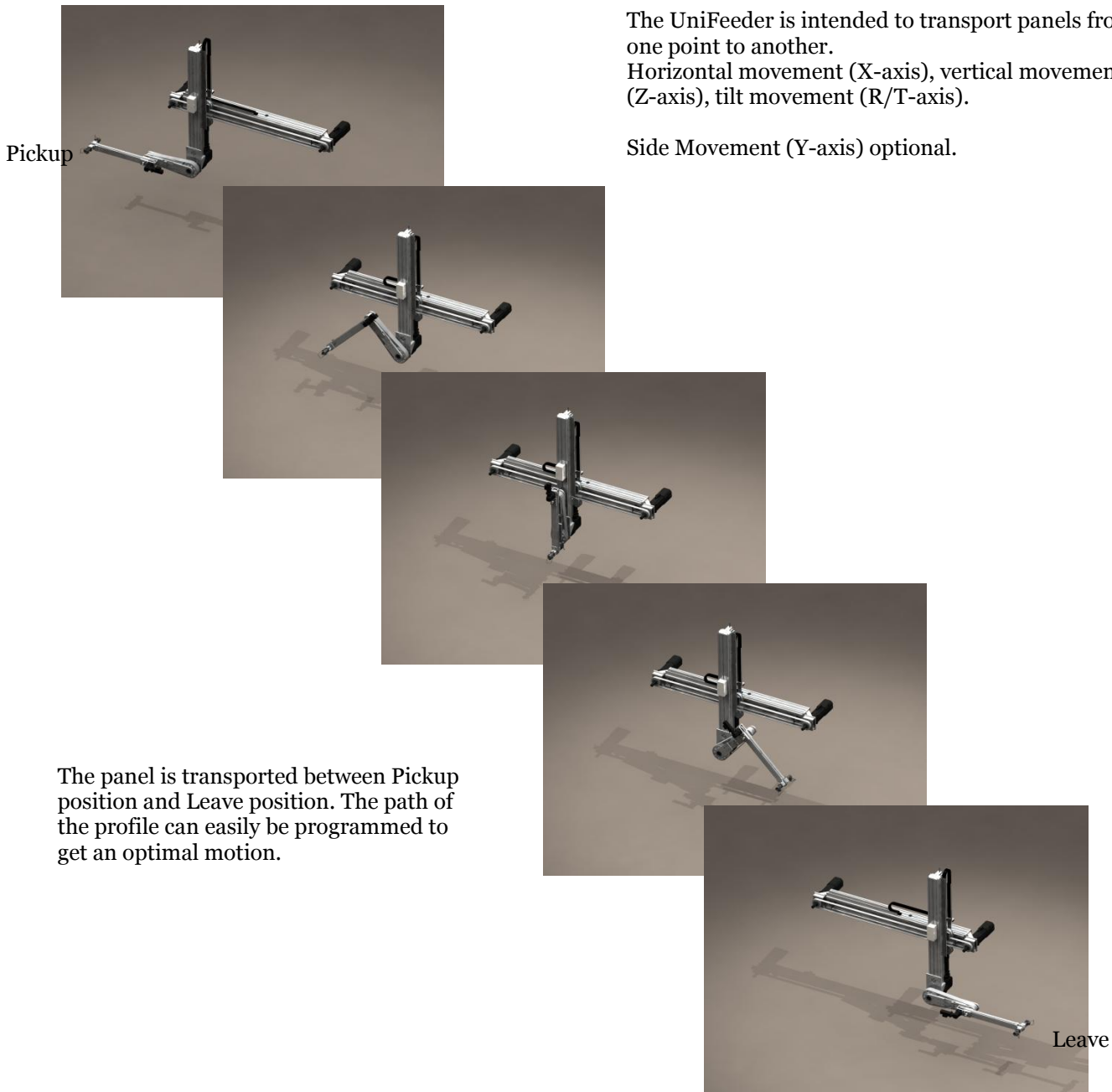
Double UniFeeder PTP with crossbar tooling.



Double UniFeeder PTP for turning the panel.



Functional Principle



The UniFeeder is intended to transport panels from one point to another.

Horizontal movement (X-axis), vertical movement (Z-axis), tilt movement (R/T-axis).

Side Movement (Y-axis) optional.

The panel is transported between Pickup position and Leave position. The path of the profile can easily be programmed to get an optimal motion.

Edition 1.3 eng