

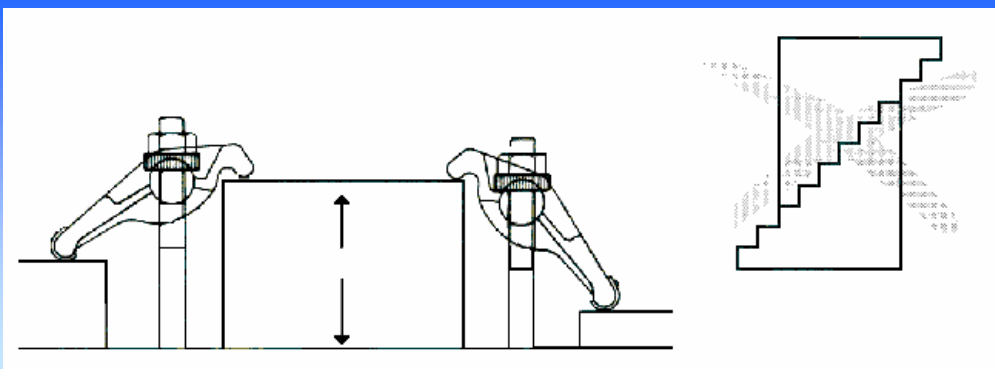
KIRA CLAMP

Mechanical adjustable die clamp



**Genius solution, the bracket maintains its upper position even when the work piece is removed.(built-in threaded nut in head)
Stepless clamping range from 0-80 mm**

- Quick and precise clamping
- Suits all kind of tooling and converting machines
- Always clamps vertically against tool
- High clamping capacity
- Requires a minimum of space on the pressed
- Always complete, no searching for spacer blocks



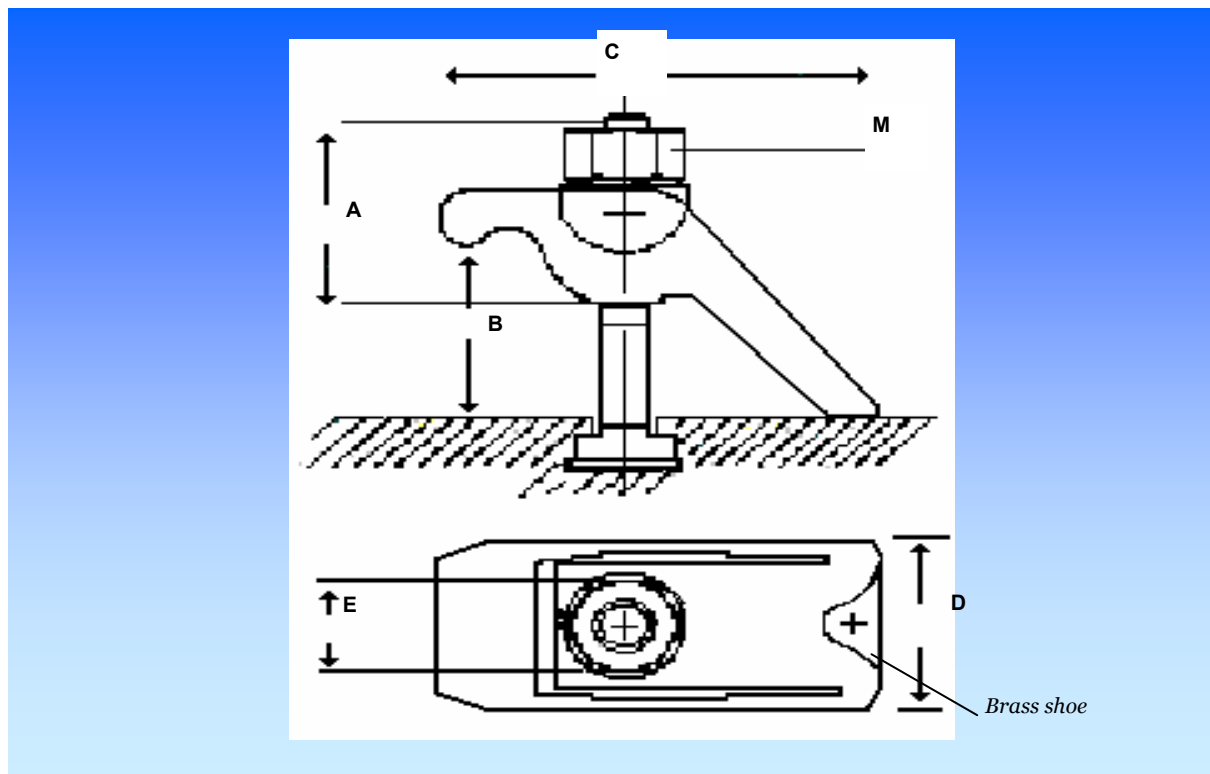
KIRA CLAMP

Mechanical adjustable die clamp



Model	Type	A mm	B mm	C mm	D mm	E mm	Breaking point	Weight kg
KIRA 120	M-12	50	0-80	132	52	27	5 to	0,80
KIRA 140	M-14	50	0-80	132	52	27	5 to	0,80
KIRA 160	M-16	50	0-80	132	52	27	5 to	0,80
KIRA 180	M-18	65	0-80	156	62	36	7 to	1,30
KIRA 200	M-20	65	0-80	156	62	36	7 to	1,30
KIRA 220	M-22	75	0-85	178	68	46	9 to	1,55
KIRA 240	M-24	75	0-85	178	68	46	9 to	1,55

KIRA is delivered without bolts. Integrated nut (M- thread). Forged integral.



PDS Automation AB
 Komponentvägen 2
 SE-293 37 OLOFSTRÖM
 Sweden
 Tel: +46 (0)454 480 80

e-mail: info@pdsautomation.se
 Website: www.pdsgrupp.se