

RLP. Pneumatic die lifter, continuous casting of aluminium with high carrying capacity. Well suited for light and medium- weight dies up to 10 tons. Easily fitted into the T-slots in the press-table.



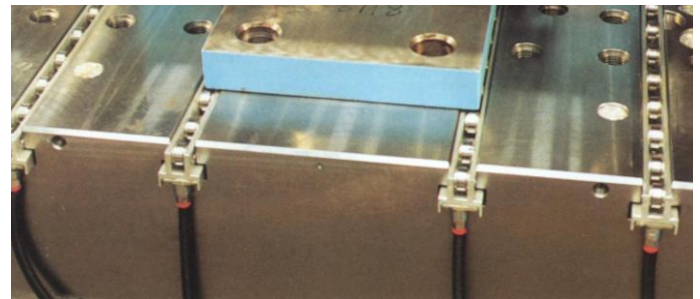
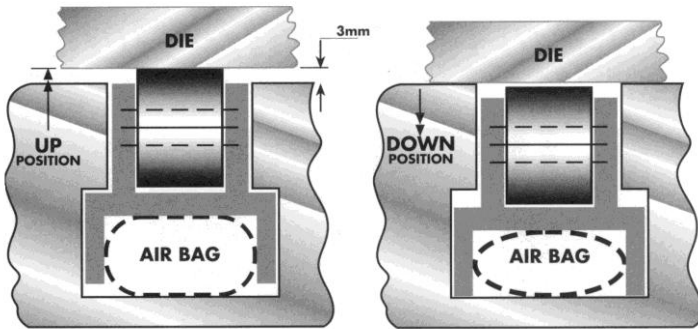
Advantages: Easy to mount, worth its price.
Ball bearing rolls = long life.

Advice: Use as an aid in operations that involves other heavy pulling, for instance when racking dies.
Use the same die lifters for several presses.
Can also be used as a regular die lifter without the airbags.

To consider: If you are transferring the die lifters between different tables, make sure that the T-slots are clean, with no scrap-metal or other objects that may puncture the air bag.

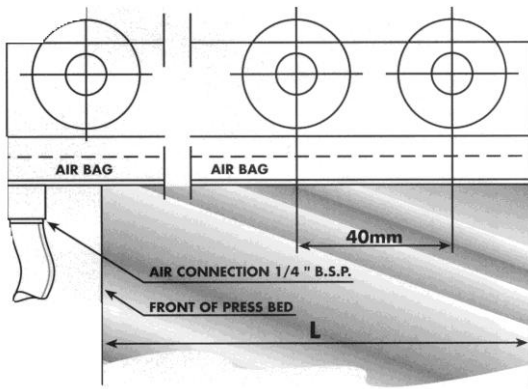
The airbag is available as a spare part.

RLP benefit from being manoeuvred by a 3/2 manual vault.



Above: RLP fitted to a press-table

Below: Airbag



NOTE: If an article shall be used in an existing or new slot a dimension print (page 4) shall always be enclosed when placing an order.

Delivered fully assembled and cut to the required length.

TYPE RLP	L	Cap kg /mm at working pressure of 6 bar	12 bar**
18	18	Customised length.	0,8 kg
22	22	"	1,32 kg
28	28	"	1,68 kg
36	36	"	2,70 kg

Example: a ledge of 22 mm, length 1 meter, lifts 1320 kg at 6 bar

**If lifting capacity is insufficient, the RLP can be connected via an air pressure increasing device
Lifting capacity increases with increasing air pressure, max. 12 bar.

**NOTE!!! Maximum load may not be exceeded, even if the lifting capacity is higher.
2000 kg / meter is valid for model 22 as well as model 28.**